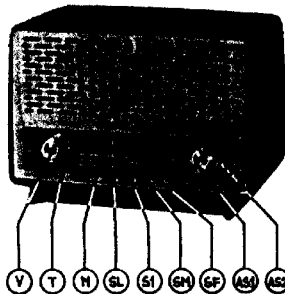


STRICTLY CONFIDENTIAL

For
Service Dealers only
Copyright

B3X18U
SERVICE NOTES
2016 U-00-19-69



R100 02

| | |
|------------------------------------------------------------------------------------------------------------------------------------------------------------------------------------------------------------------------------------------------------------------------------------------------------------------------------------------------------------------------------------------------------------------------------------------------------------------------------------------------------------------------------------------------------------------------------------|----------------------------------------------------------------------------------------------------------------------------------------------------------------------------------------------------------------------------------------------------------------------------------------------------------------------------------------------------------------------------------------------------------------------------------------------------------------------------------------------------------------------------------------------------------------------------------------------------------------------------------------------------------------------------------------------------------------------------------------------------------------------------------------------------------------------------------------------------------------------------------------------|
| <p>Loudspeaker - Haut-parleur - Lautsprecher - Luidspreker</p> <p>AD 2460 X.</p> <p><u>I.F. - M.F. - Z.F. - M.F.</u></p> <p>A.M. : 452 ko/s F.M. : 10.7 Mc/s</p> <p>Mains - Tensions de - Netzspannungen - Netspanningen voltages réseau</p> <p>110 - 127 - 220 V \pm</p> <p>Consumption - Consommation - Verbrauch - Verbruik</p> <p>55 W (220 V)</p> <p>Diallamps-Lampes d'éclairage-Skalenlampen-Schaallampen</p> <p>8069 D-00.</p> <p>Dimensions- Dimensions - Abmessungen - Afmetingen</p> <p>286 x 189 x 170 mm.</p> | <p>Controls - Organes de commande - Bedienungsorgane - Bedieningsorganen</p> <p>V. Volume - Régulateur d'intensité - Lautstärkevergleger - Volumeregelaar control d'intensité</p> <p>T. Tone - Régulateur de tonalité - Tonblende - Toonregelaar control</p> <p>N. Mains switch - Interrupteur de réseau - Aus-Taste - Uit-schakelaar</p> <p>SL. L.W. - G.O. - L.W. - L.G. : 750 - 2000 m (400 - 150 ko/s)</p> <p>SI. S.W. - G.C. - K.W. - K.G. : 25 - 50 m (12 - 6 Mo/s)</p> <p>SM. M.W. - P.O. - M.W. - M.G. : 187 - 580 m (1600- 517 ko/s)</p> <p>SF. F.M. - P.M. - U.K.W.-P.M. : 3 - 3.43 m (100 -87.5 Mo/s)</p> <p>AS2. Tuning F.M. - Sintonisation F.M. - Abstimmung U.K.W. - Afstemming F.M.</p> <p>AS1. Tuning A.M. - Sintonisation A.M. - Abstimmung A.M. - Afstemming A.M.</p> <p>SI-S1 P.U. - Commutateur de P.U. - T.A. Schalter - P.U. Schakelaar switch</p> |
|------------------------------------------------------------------------------------------------------------------------------------------------------------------------------------------------------------------------------------------------------------------------------------------------------------------------------------------------------------------------------------------------------------------------------------------------------------------------------------------------------------------------------------------------------------------------------------|----------------------------------------------------------------------------------------------------------------------------------------------------------------------------------------------------------------------------------------------------------------------------------------------------------------------------------------------------------------------------------------------------------------------------------------------------------------------------------------------------------------------------------------------------------------------------------------------------------------------------------------------------------------------------------------------------------------------------------------------------------------------------------------------------------------------------------------------------------------------------------------------|

| | | | | |
|------------------------------------------------------------------------------------------------------------------------------------------------------------------------------------------------------------------------------------------------------------------------------------------------------------------------------------------------------------------------------------------------------------------------------------------------------------------------------------------------------------------------------------------------------------------------------------------|-----------------------------------------------------------------------------------------------------------------------------------------------------------------------------------------------------------------------------------------------------------------------------------------------------------------------------------------------------------------------------------------------------------------------------------------------------------------------------------------------------------------------------------------------------------------------------------------------------------------------------------------------------------------------------------------|--------------------------------------------------------------------------------------------------------------------------------------------------------------------------------------------------------------------------------------------------------------------------------------------------------------------------------------------------------------------------------------------------------------------------------------------------------------------------------------------------------------------------------------------------------------------------------------------------------------------------------------------------------|--------------------------------------------------------------------------------------------------------------------------------------------------------------------------------------------------------------------------------------------------------------------------------------------------------------------------------------------------------------------------------------------------------------------------------------------------------------------------------------------------------------------------------------------------------------------------------------------|---------------------------------------------------------------------------------------------------------------------------------------------------------------------------------------------------------|
| <p>Cabinet (-00, -19) red Cabinet (-69) crème Bouton, small Knob, large Knob, small Push button Variable capacitor F.M. Variable capacitor A.M. Knob, for voltage adapter</p> <p>Slide contact, small Slide contact, large Contact plate, fixed Contact lip Contact slide, double Contact slide, single</p> <p>Dial (-00) Dial (-19) Dial (-69) Connection plate, for voltage adapter</p> <p>For ordering parts, which do not occur in the parts list consult the Catalogue for Service Spare Parts.</p> | <p>Geffret (-00, -19) rouge Coffret (-69) crème Bouton, petit Bouton, grand Touche poussoire Condensateur variable F.M. Condensateur variable A.M. Bouton, pour carrousel de tension</p> <p>Resort de contact, étroit Resort de contact, large Casse de contact, fixe Lame de contact Langnette glissante, double Langnette glissante, simple</p> <p>Cadrán (-00) Cadrán (-19) Cadrán (-69) Plaque de connexion, pour carrousel de tension</p> <p>Four commander les pièces qui ne figurent pas dans cette liste, veuillez consulter la Catalogue pour pièces de réchange Standard.</p> | <p>Gehäuse (-00, -19) rot Gehäuse (-69) crème Knopf, klein Knopf, groß Druckknopf Drehkondensator F.M. Drehkondensator A.M. Knopf, für Spannungswähler Kontaktstreifen, small Kontaktstreifen, breit Kontaktstreifen, fest Kontaktstreifen Schiebestreifen, doppelt Schiebestreifen, einzeln</p> <p>Skala (-00) Skala (-19) Skala (-69) Anschlussplatte, für Spannungswähler</p> <p>Falls Ersatzteile, welche nicht in der obenstehenden Liste angegeben sind, be- stellt werden müssen, biten wir Sie, unser Service Standard Buch zu Rate zu ziehen.</p> | <p>Kast (-00, -19) rood Kast (-69) crème Knop, klein Knop, groot Drukknop Afstemcondensator F.M. Afstemcondensator A.M. Knop, voor spannings- omschakelaar Schuifcontact, smal Schuifcontact, breed Contactenplaat, vast Contactlip Contactenplaat, dubbel Contactenplaat, enkel</p> <p>928/S42016U-00 928/S42016U-19 928/S42016U-69 A3 228 39</p> <p>Voor het bestellen van onderdelen welke niet in de stuklijst voorkomen wordt verzen naar de Catalogus voor Service Standaard-Onderdelen.</p> | <p>A3 780 57 A3 781 31 WE 363 75 WE 363 92 P5 420 24/139 49 002 20 49 001 96 A3 229 83</p> <p>971/77 971/78 A3 665 26 A3 665 27 A3 665 79 A3 665 22</p> |
|------------------------------------------------------------------------------------------------------------------------------------------------------------------------------------------------------------------------------------------------------------------------------------------------------------------------------------------------------------------------------------------------------------------------------------------------------------------------------------------------------------------------------------------------------------------------------------------|-----------------------------------------------------------------------------------------------------------------------------------------------------------------------------------------------------------------------------------------------------------------------------------------------------------------------------------------------------------------------------------------------------------------------------------------------------------------------------------------------------------------------------------------------------------------------------------------------------------------------------------------------------------------------------------------|--------------------------------------------------------------------------------------------------------------------------------------------------------------------------------------------------------------------------------------------------------------------------------------------------------------------------------------------------------------------------------------------------------------------------------------------------------------------------------------------------------------------------------------------------------------------------------------------------------------------------------------------------------|--------------------------------------------------------------------------------------------------------------------------------------------------------------------------------------------------------------------------------------------------------------------------------------------------------------------------------------------------------------------------------------------------------------------------------------------------------------------------------------------------------------------------------------------------------------------------------------------|---------------------------------------------------------------------------------------------------------------------------------------------------------------------------------------------------------|

| | Push button | Trimming point | Signal | Trim | Indication |
|--------------------------|-------------------|------------------|--------------------------------|------------------------|-----------------------|
| | Touche pousseoire | Point de réglage | Signal | Régler | Indication |
| | Taste | Trimmpunkt | Signal | Abgleichen | Anzeige |
| | Druktoets | Trimpunt | Signaal | Afregelen | Aanwijzing |
| I.F.-M.F.-Z.F.-M.F. A.M. | 6 | 1 | 452 kc/s via 33,000 pF g1B2 | S39, S38, S33, S34 | Max. Output |
| R.F. circuits | 6 | 3 | 550 kc/s | S24, S25a | |
| Circuits H.F. | 4 | 3 | 151 kc/s | S32, S26a | |
| H.F.Kreise | 5 | 3 | 6.1 Mo/s | S30, S28 | |
| H.F.kringen | 5 | 2 | 12 Mo/s | C54 | |
| | 4 | 2 | 400 kc/s | C38, C25 | |
| | 6 | 2 | 1550 kc/s | C42, C26 | |
| I.F.-M.F.-Z.F.-M.F. F.M. | 7 | 87.5 Mc/s | 10.7 Mc/s via 1500 pF -g1B3 | S40 X S42 X | Max. D.V. 0 V D.V. |
| | | | 10.7 Mc/s via 1500 pF -g1B2 | S35, S36 ^{KK} | Max. D.V. |
| | | | 10.7 Mc/s via 1500 pF -g1B1 | S19, S20 | Max. D.V. |
| R.F. circuits | 7 | 87.5 Mc/s | 87.5 Mo/s | S18, S16 | Max. D.V. |
| Circuits H.F. | | 100 Mc/s | 100 Mo/s | C18 | |
| H.F. Kreise | F.M. | | | | |
| H.F. kringen | | | | | |

K Connect D.V. via two resistors of 0,22 M Ω (1%) (see circuit diagram).

Connecter le D.V. à travers deux résistances de 0,22 M Ω (1%) (voir le schéma de principe).

Diodenvoltmeter anschliessen über zwei Widerstände von 0,22 M Ω (1%) (siehe Prinzipschaltung).

Diodevoltmeter aansluiten via twee weerstanden van 0,22 M Ω (1%) (zie prinsipschema).

KK Remove the two resistors of 0,22 M Ω and connect the D.V. again across C73 (in series with 0,1 M Ω).

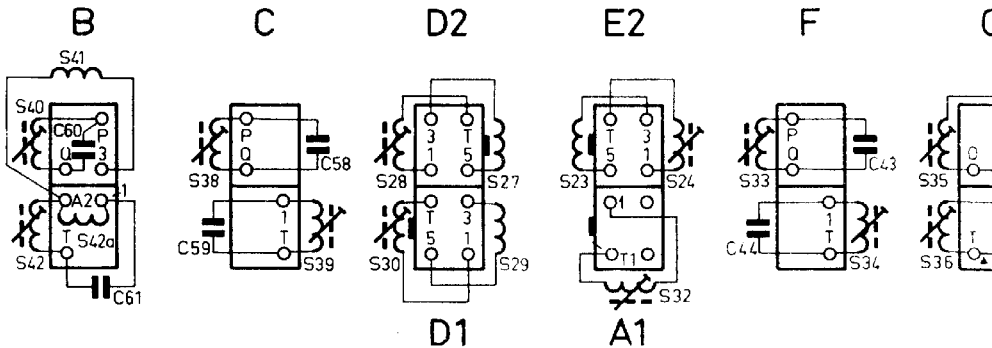
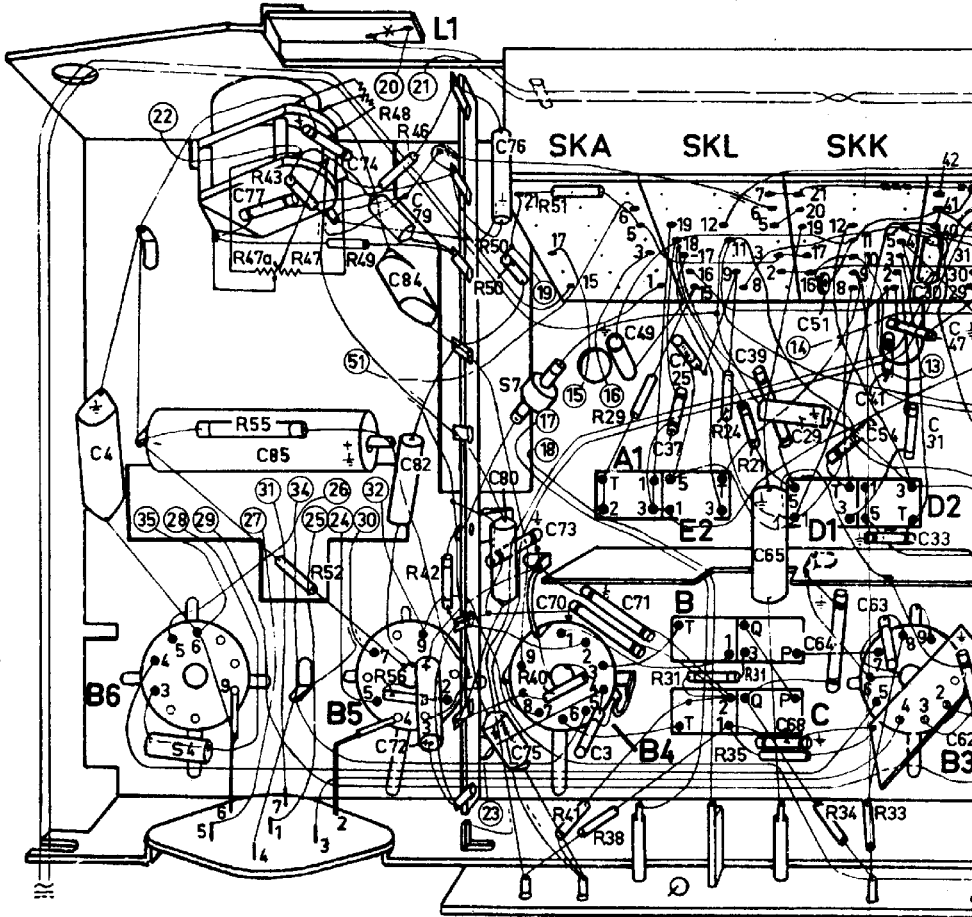
Enlever les résistances de 0,22 M Ω et connecter le D.V. à nouveau sur C73 (en série avec 0,1 M Ω).

Die Widerstände von 0,22 M Ω entfernen und das D.V. wieder über C73 anschliessen (in Serie mit 0,1 M Ω).

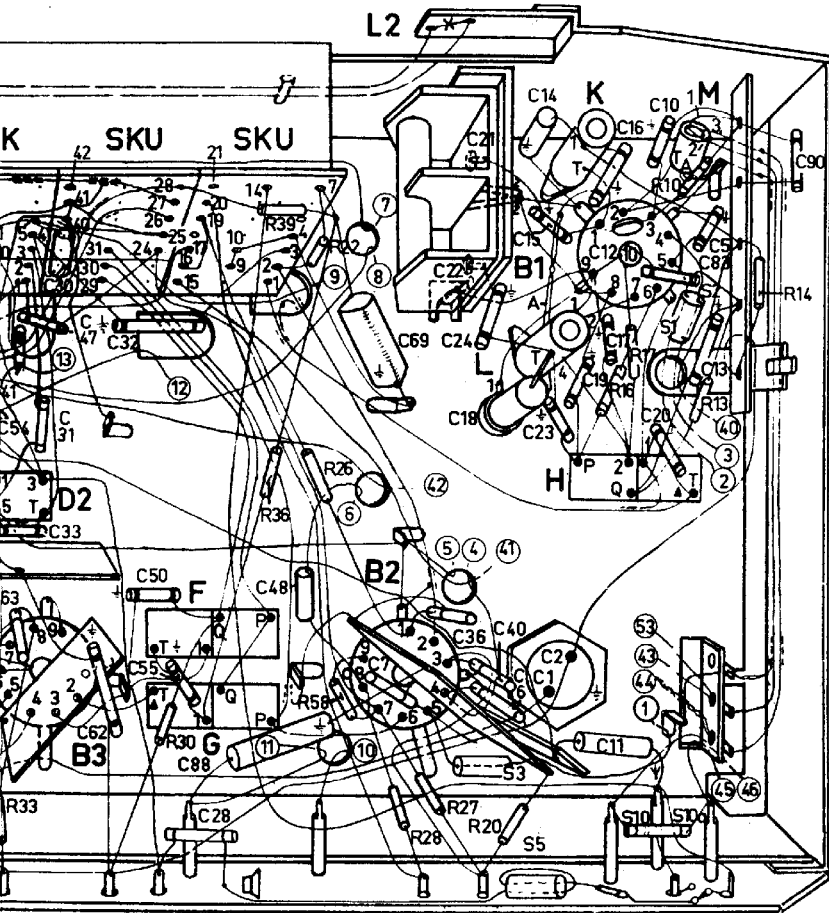
De weerstanden van 0,22 M Ω verwijderen en de D.V. opnieuw aansluiten over C73 (in serie met 0,1 M Ω).

| | | | | | | | | |
|------|-------|-----------|-----|--------|--------------|-----|----------------|-----------------------|
| S7 | | A3 803 61 | S27 | | 921/21-31m | S45 | | |
| S10 | | | S28 | | | S46 | -00 | WE 151 43 |
| S10a | | WE 110 61 | S29 | | 923/24-52m | S47 | -19-69 | WE 151 44 |
| S12 | | | S30 | | | S48 | | |
| S13 | | | S32 | | A3 128 96 | C1 | 100 μ F | AC 6006/100+50 |
| S13a | | | | | | C2 | 50 μ F | |
| C8 | 47 pF | | S33 | | | R1 | 900 Ω | E 001 AK/A1KB(2x-par) |
| C9 | 47 pF | WE 358 40 | S34 | | | R2 | 90 Ω | |
| C52 | 22 pF | | C43 | 195 pF | 925/452-2 | R3 | 150 Ω | WE 346 32 |
| C53 | 27 pF | | C44 | 195 pF | | R4 | 50 Ω | |
| S14 | | | S35 | | | R5 | 220 Ω | 49 379 62 (NTC) |
| S15 | | WE 112 31 | S36 | 15 pF | 926/10.7 | R6 | 240 Ω | 49 379 67 (NTC) |
| S15a | | | C45 | 15 pF | | R47 | 1.5 M Ω | |
| S17 | | | C46 | 15 pF | | R7a | 0.5 M Ω | WE 364 37 |
| S17a | | WE 111 77 | S38 | | | R48 | 0.5 M Ω | |
| S18 | | | S39 | | 925/470-2 | R49 | | |
| S19 | | WE 121 20 | C56 | 195 pF | | R55 | 235 Ω | WN 556 53/P235E |
| S20 | | | C59 | 195 pF | | | | |
| S23 | | | S40 | | | | | |
| S24 | | A3 127 77 | S41 | | | | | |
| S25 | | | S42 | | | | | |
| S25a | | | S43 | | 926/10.7RD-2 | | | dB/CB |
| S26 | | A3 804 06 | S44 | 10 pF | | | | |
| S26a | | | C60 | 47 pF | | | | |
| S26a | | | C61 | | | | | |

| | | | | | | | | | | | | | | | | | |
|---|----|--------|------|--------|--------|--------|--------|-------|--------|--------|--------|--------|--------|--------|--------|--------|-------|
| S | 4. | | | | | 7. | A1. | E2. | B.C. | D1. | D2. | | | | | | |
| C | 4. | 77.85. | 74. | 79.84. | 82.72. | 76. | 80.73. | 75.3. | 70.71. | 49.25. | 37.39. | 65.68. | 29.51. | 64.54. | 30.33. | 63.31. | 47.41 |
| R | | 55. | 47a. | 47.43. | 48.52. | 49.46. | 56. | 42. | 50. | 40.51. | 41.38. | 29. | 31.24. | 21. | 35. | 34. | 33. |



| | | | | | | |
|---------------|-------------|----------------------|---------|----------|---------------|----------------------------------|
| D2. | FG. | 5.3. | L.H.K. | 10.10 | M.1. | 2. |
| 0336331474162 | 28 32 50 55 | 88 48 | 69 7 36 | 21 22 40 | 6 24 18 14 15 | 23 1 2 19 16 17 12 10 20 5 13 83 |
| | 30 | 39 36 26 22 58 28 27 | | 20 | 16 17 | 10 13 14 |



R 178 87

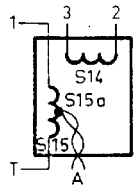
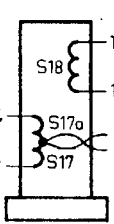
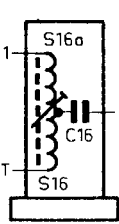
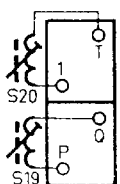
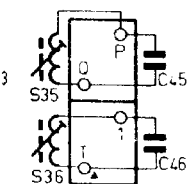
G

H

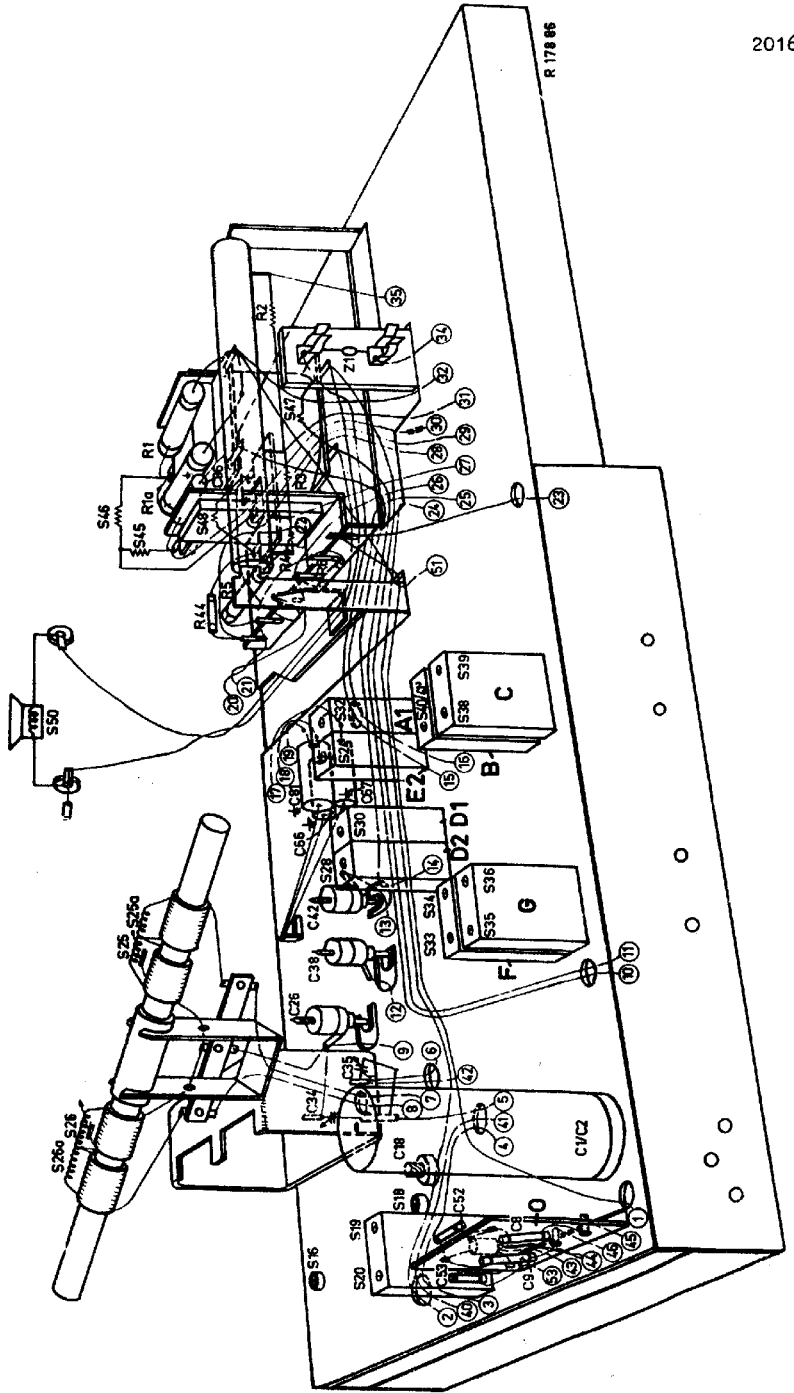
K

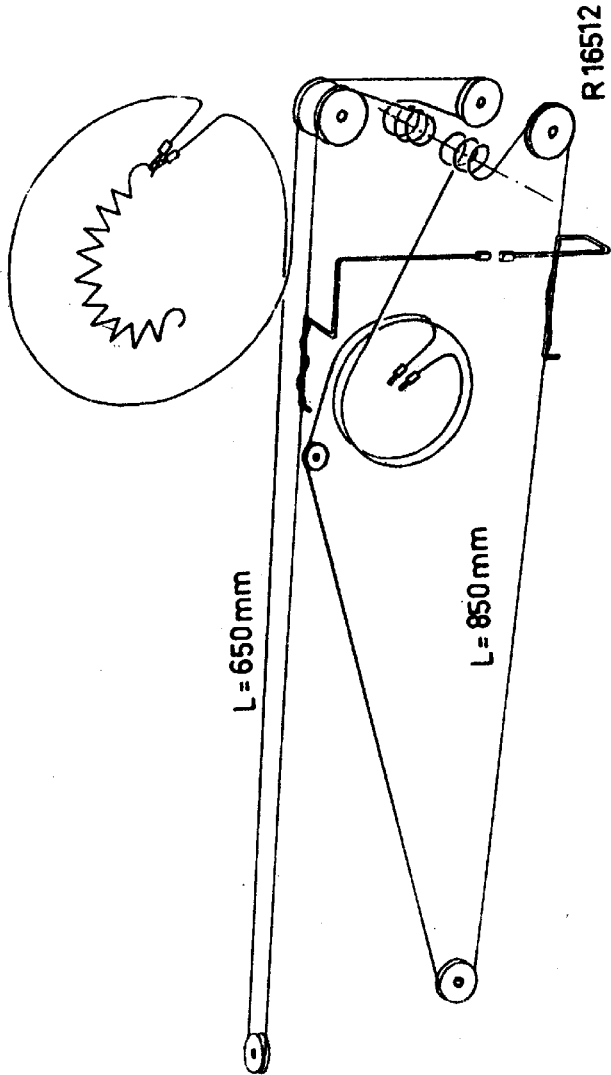
L

M

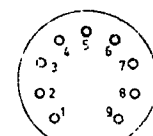
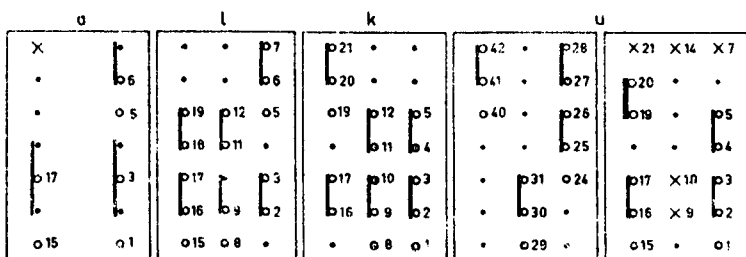
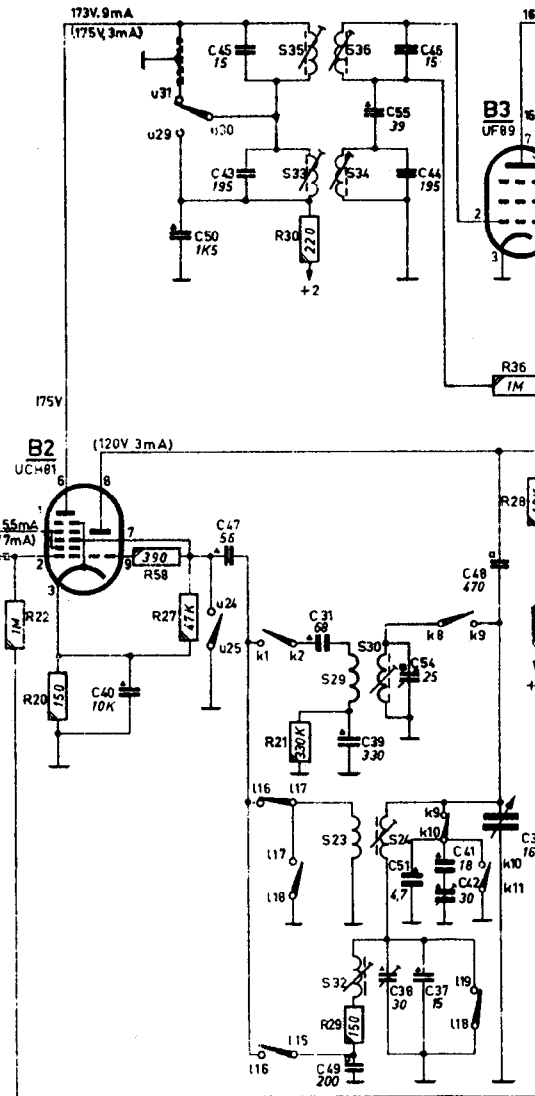
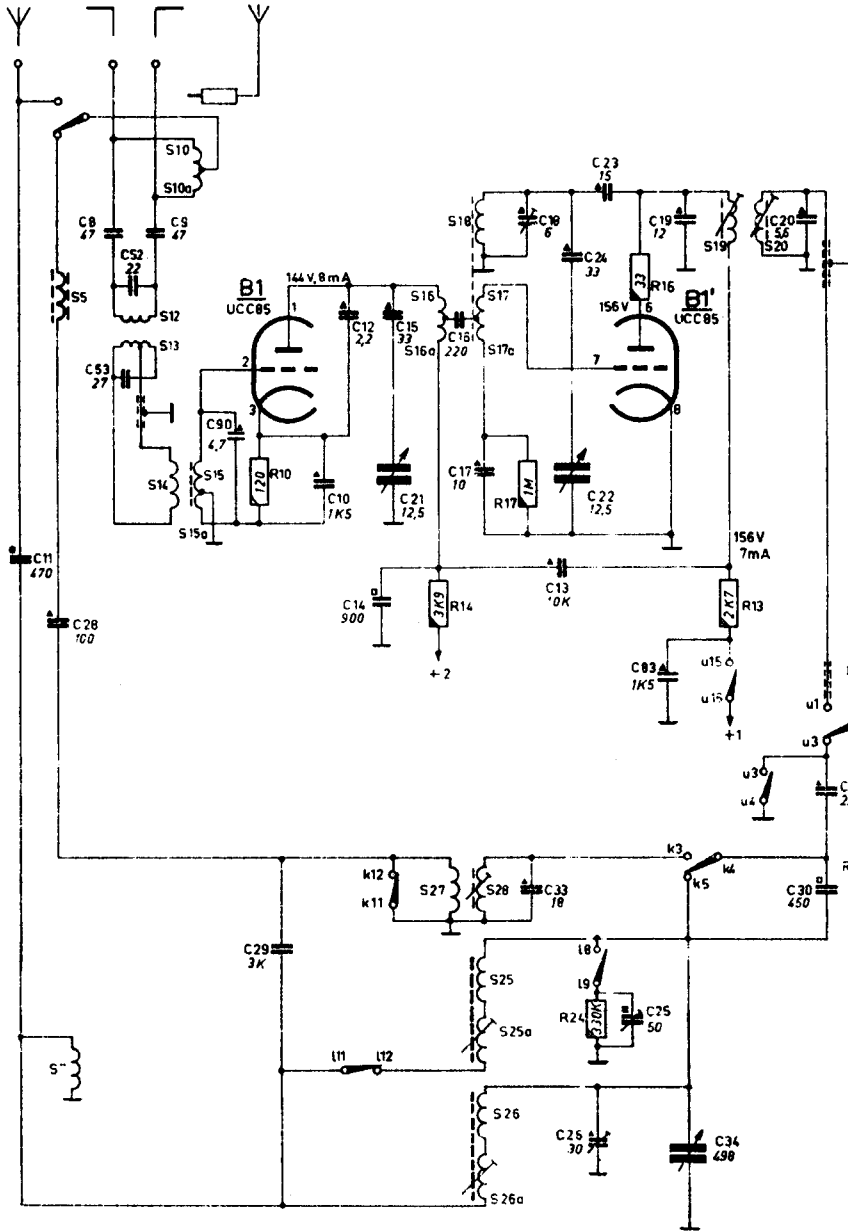


R 174 90





| | | | | | | | | | |
|---|--------|-----------|-----------|-------------|---------|--------------------|--------------------------------|--------------------------------------------|------------------------------------|
| S | 7 | 5, 12, 13 | 10, 10a | 14, 15, 15a | 16, 16a | 17, 17a | 18, 27, 28, 28a, 28b, 28c, 28d | 19, 20 | 35, 33, 23, 32, 28, 36, 34, 24, 30 |
| R | 10 | 14 | 17 | 24 | 16 | 13 | 26, 22, 20 | 58, 27 | 30, 21, 29 |
| C | 11, 28 | 8 | 52, 53, 9 | 9a | 29 | 10, 12, 14, 15, 21 | 16, 17 | 18, 33, 24, 22, 26, 13, 23, 25, 19, 34, 83 | 20, 30, 32, 36 |



B1-6

